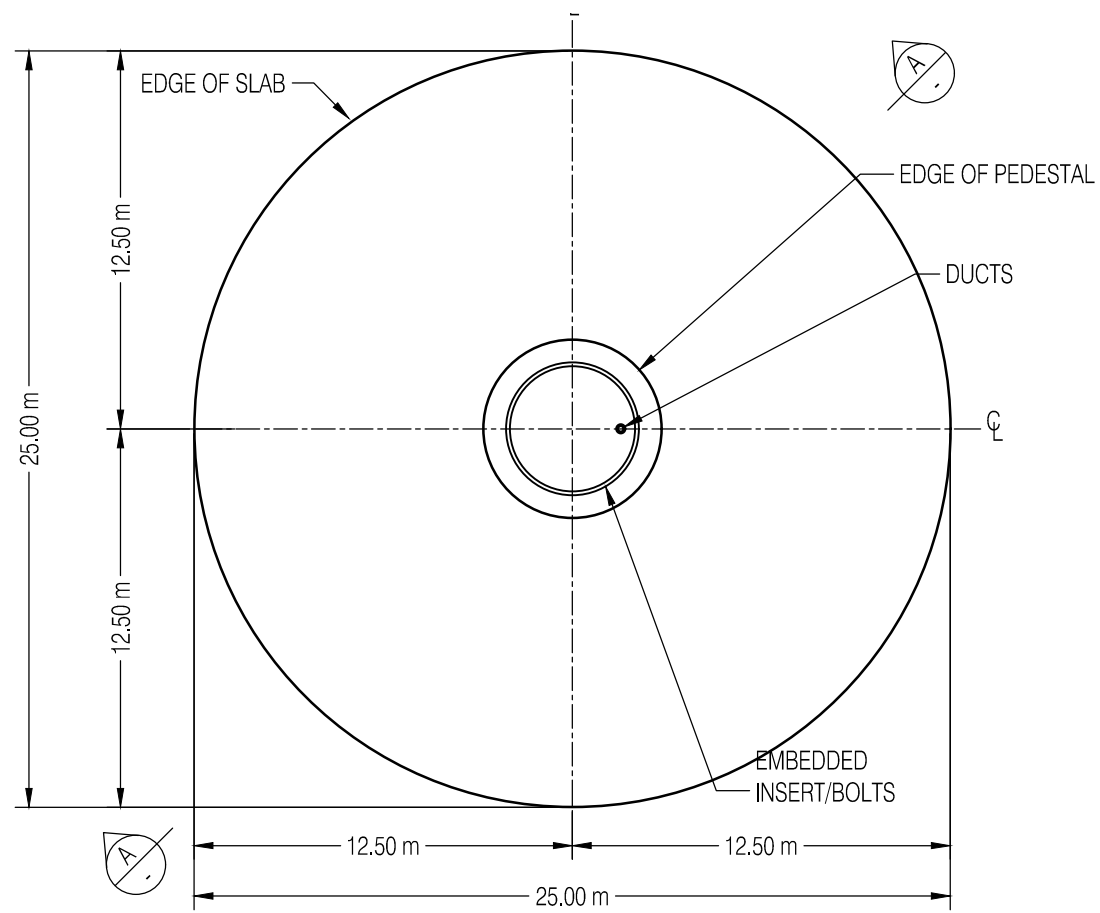


**SECTION 'A-A'**  
SCALE 1:100



**GENERAL PLAN**  
SCALE 1:250

00	16/12/2024	First Draft	RT	CH	CH
Rev	Date	Description	Drn	Chk	App
<b>Balblair Wind Farm</b>					
<b>RSK</b>					
TITLE: Figure 2.3: Indicative Wind Turbine Foundation					
ID:P663356_Application_Boundary					
					REV 00